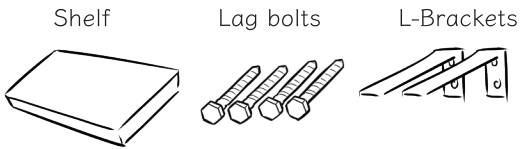
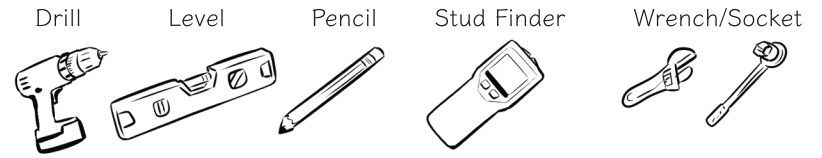


Installation instructions: Deep Shelves with Black L-Brackets

Items included



Tools you'll need



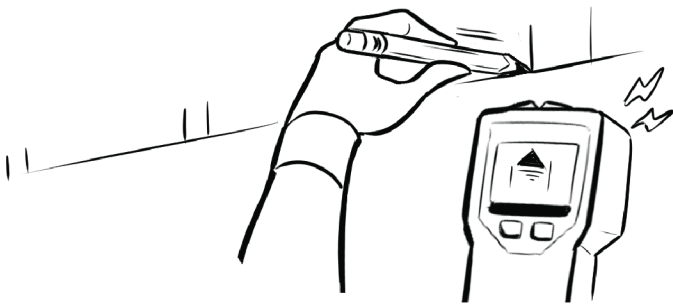
1 Determine Shelf Placement

Identify where you'd like to mount your shelf. Use a level to draw a horizontal line across the top of the shelf.



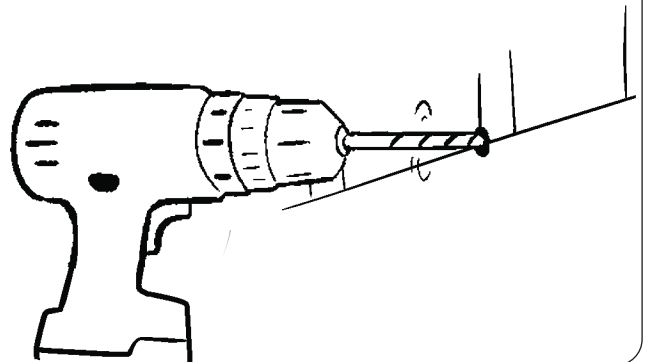
2 Locate and Mark the Studs

Locate the studs, marking their edges along the level line. Typically, studs are 16" apart. For optimal support, aim to install the shelf into a minimum of 2 studs.



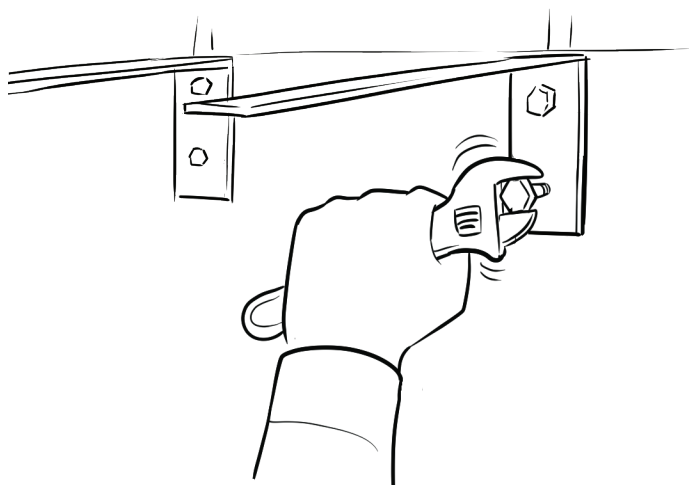
3 Pre-Drill Holes

For lag bolts, pre-drill 3/16" holes where the level line and studs intersect, ideally 2-3 inches from the edge.



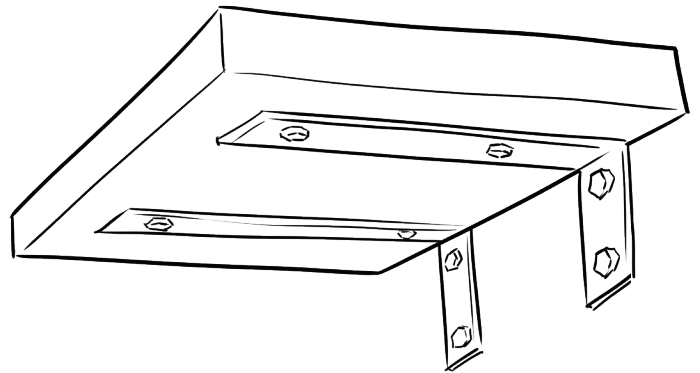
4 Install Brackets

Install the brackets using a wrench or socket.
*Be sure not to over tighten.



5 Install Shelf

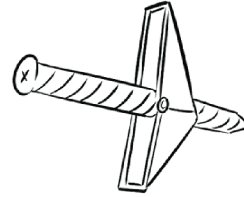
Place the wood shelf on top of the installed brackets and drill lag bolts on the bottom.



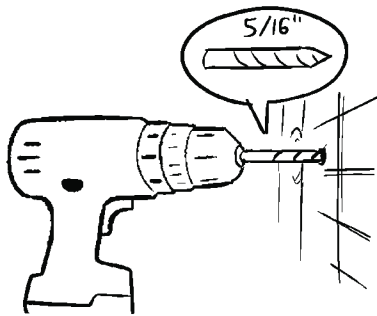
Installation instructions: Deep Shelves with Black L-Brackets

Installation Without Wall Studs

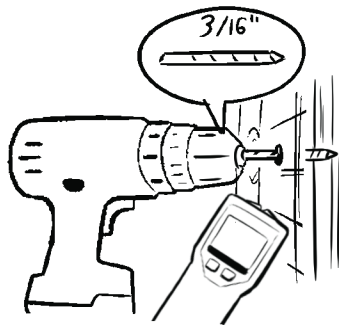
When you can't use wall studs, we strongly suggest using toggle bolts.



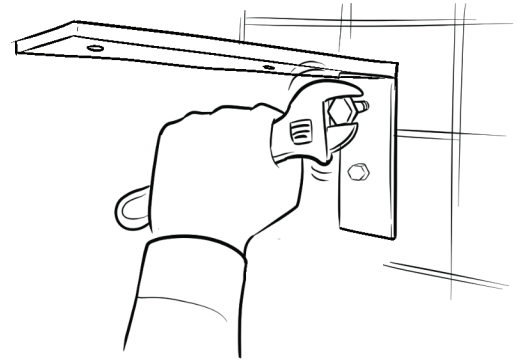
Tile Back Splash Installation



1 To install brackets onto tile, pre-drill with a 5/16" masonry drill bit (also called a diamond drill bit).

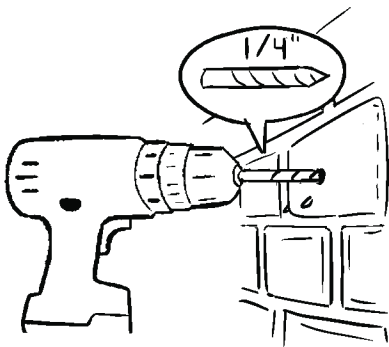


2 Pre-drill wall studs with a 3/16" bit.

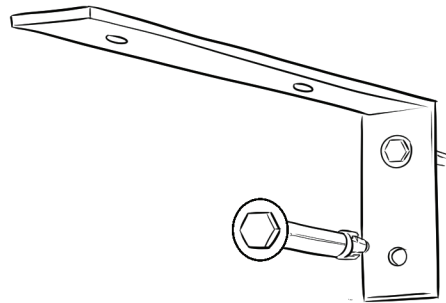


3 Install brackets using provided lag bolts or XL lag bolts for thick walls and tile.

Brick or Concrete Installation

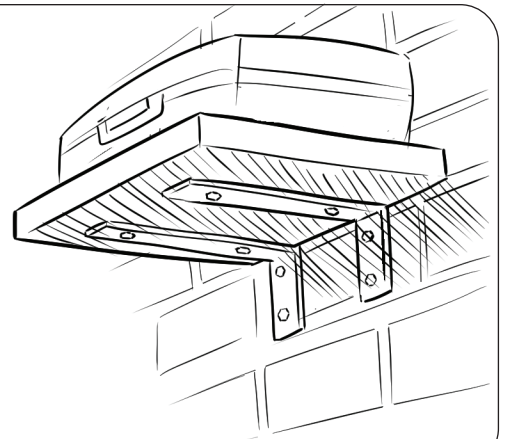
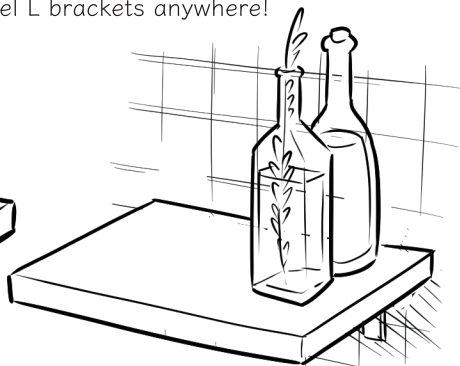
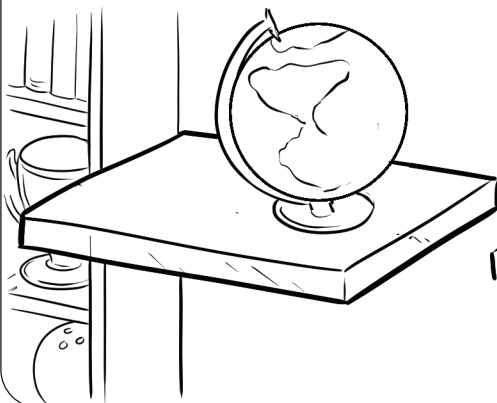


1 To install onto brick, concrete or any other solid masonry surface, pre-drill a 1/4" hole.



2 Install brackets with special masonry bolts.

Enjoy your deep shelves with black steel L brackets anywhere!



Visit nookwoodworking.com for more tips and tricks!